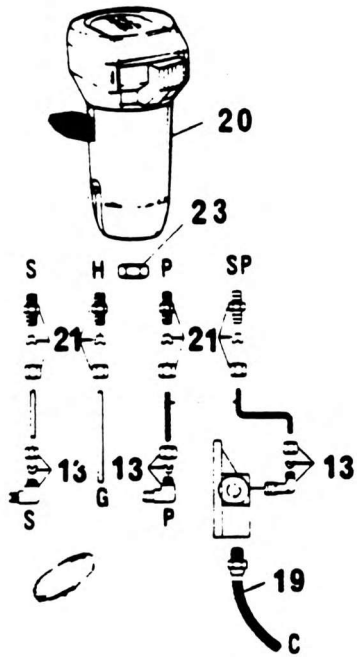
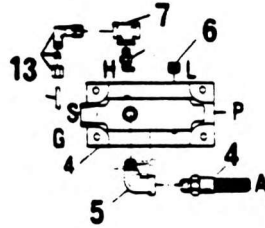


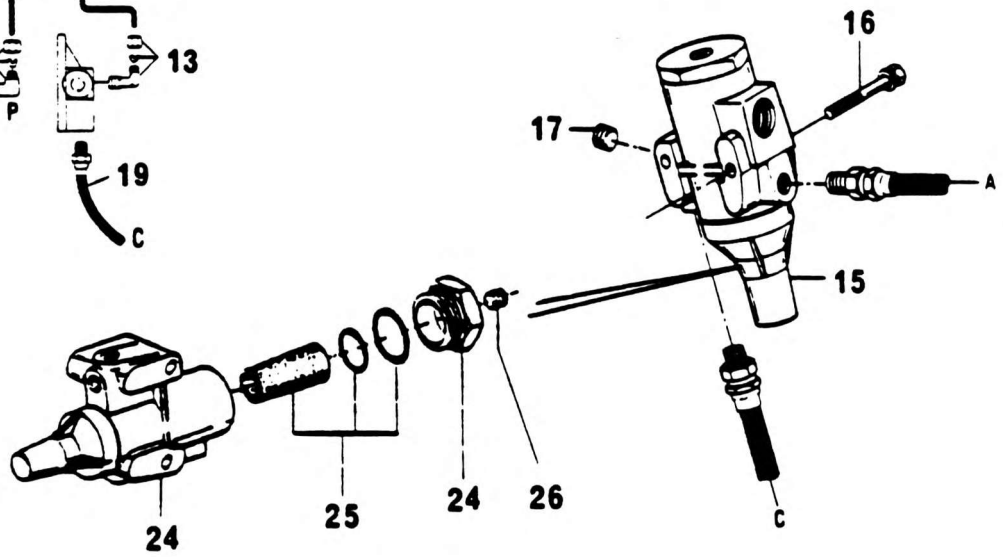
MASTER VALVE



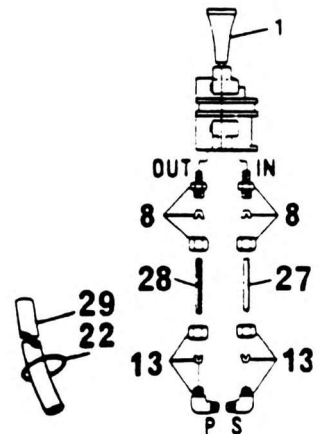
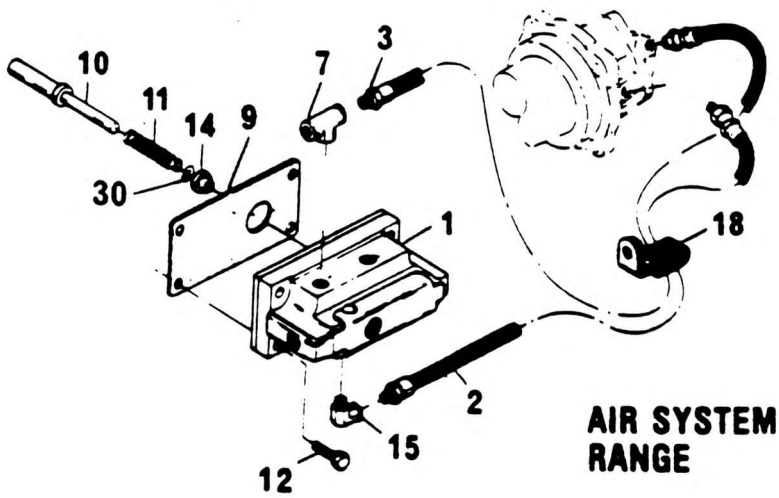
SLAVE VALVE



REGULATOR-FILTER



RANGE VALVE



AIR SYSTEM RANGE